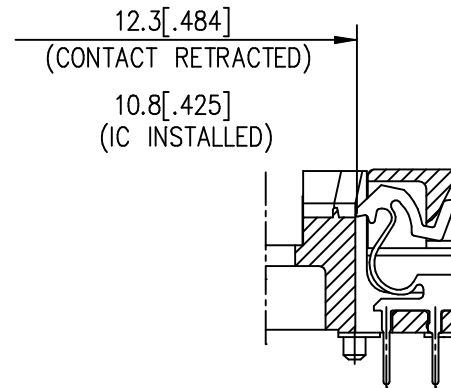
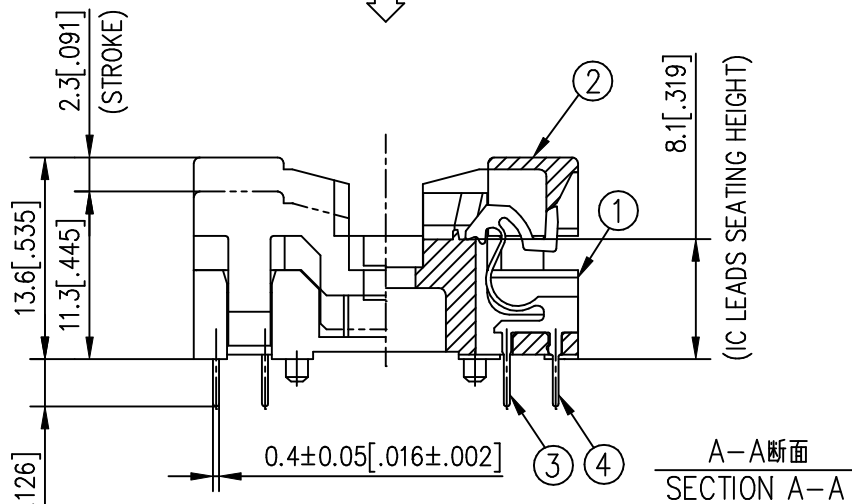
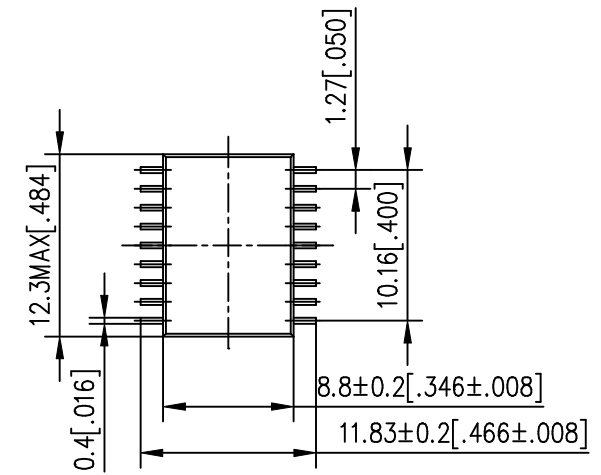
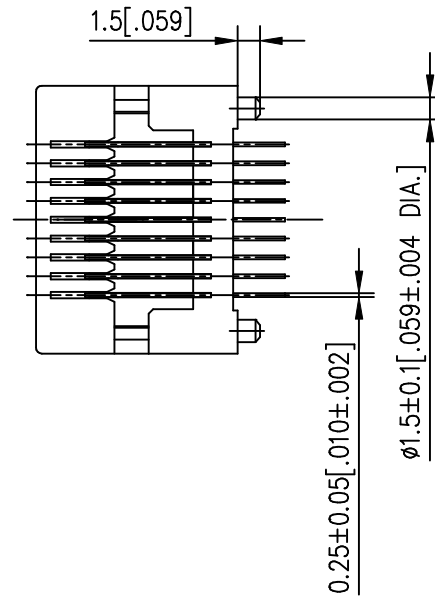
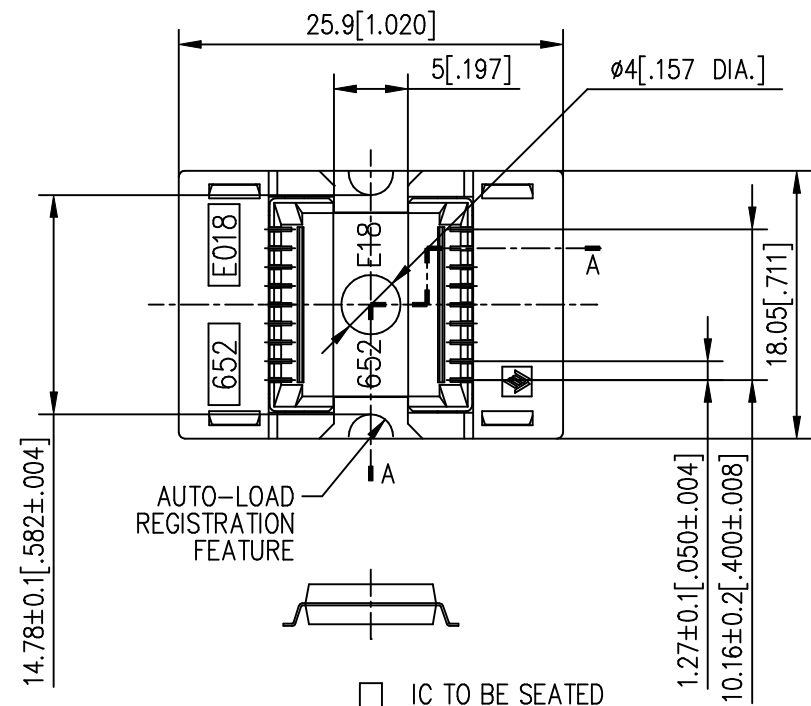
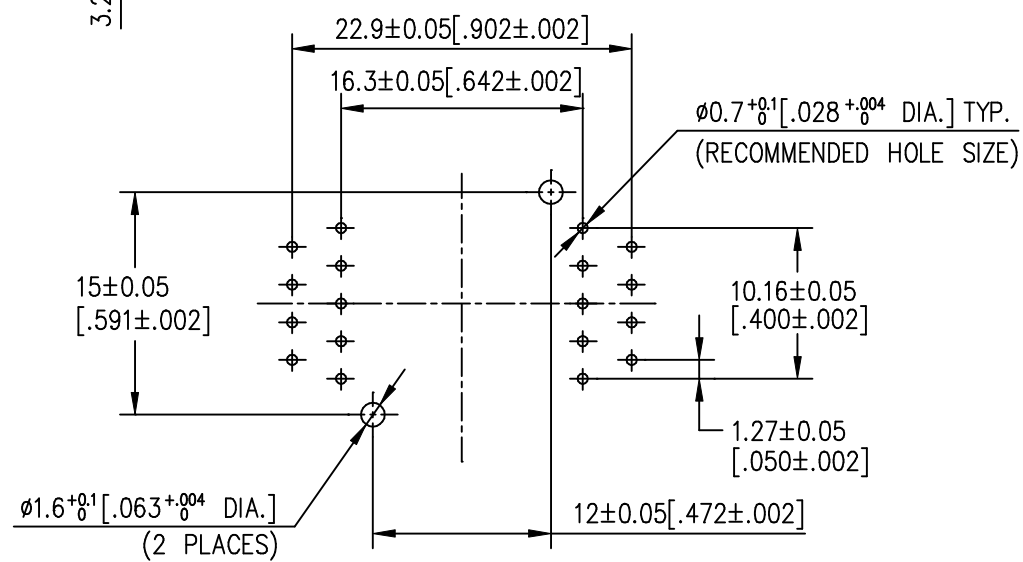


REV	DATE	DESCRIPTION	BY
0	Nov 11 1997	ERN97271	M,N



適合IC外形図(参考)
RECOMMENDED IC(REF)



FOOTPRINT
FOOTPRINT AS VIEWED LOOKING DOWN
FROM TOP OF SOCKET

④	CONTACT-(B)	Be Cu	8	PLATING : Au
③	CONTACT-(A)	Be Cu	10	PLATING : Au
②	COVER	PEI	1	COLOR : BLACK
①	BASE	PEI	1	COLOR : BLACK
P.NO	PART DESCRIPTION	MATERIAL	QTY	NOTE
GENERAL TOLERANCES		WELLS JAPAN LIMITED ウェルズ・ジャパン株式会社		
±0.3[±.012]				
UNIT	SCALE	ANGLE	TITLE	
mm[in.]	2X	3rd.	SOP 18P SOCKET	
DRAWN	/ /	PARTS NO.		
CHECKED	/ /	652E0182211		
APPROVED	/ /	DWG NO.	REV	SHEET
		652MSA003	0	1/1